



RESDELUX

STEAM HUMIDIFIERS

SHOP DRAWINGS

Date: _____

Job
Name: _____

Contractor: _____

Contractor or Order No.: _____

Engineer: _____

Agent: _____

Agent P.O. No.: _____

Date Ordered: _____

FUSED DISCONNECT SIZE (AMPS): 15

UNIT RUNNING AMPS (as 100% FLA): 11.5

PRIMARY SUPPLY VOLTAGE	110V	115V	120V	208V	220V	230V	240V
------------------------	------	------	------	------	------	------	------

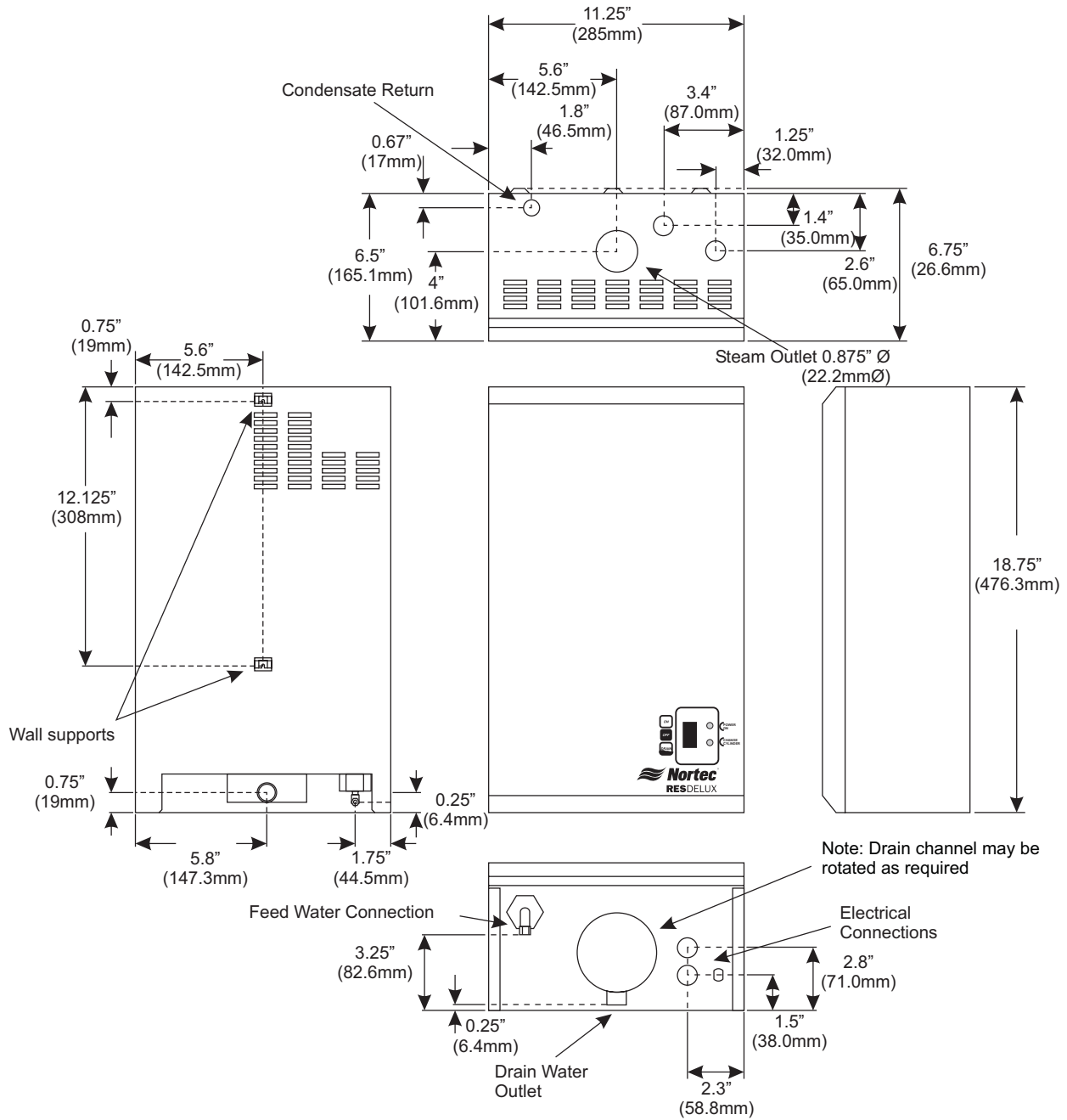
POWER RATING (KW):	1.3	1.3	1.4	2.4	2.5	2.65	2.76
--------------------	-----	-----	-----	-----	-----	------	------

UNIT CAPACITY (lbs/hr):	3.7	3.9	4.0	7.0	7.4	7.8	8.1
-------------------------	-----	-----	-----	-----	-----	-----	-----

Electronic electrode self-contained steam humidifier incorporating "Auto-Adaptive" solid state control, fill/drain solenoid valves, on/off and drain switches, disposable steam cylinder, status indicator lamp, fill valve strainer with water flow regulation orifice, fill side air gap, injection molded plastic drain reservoir, primary voltage terminal block, all housed in a metal cabinet.

NORTEC Industries Inc.
826 Proctor Avenue
Ogdensburg, NY 13669
Tel.: (315) 425-1255
E-mail: nortec@humidity.com

NORTEC Air Conditioning Ind. Ltd.
2740 Fenton Road
Ottawa, ON, K1T 3T7
Tel.: (613) 822-0335
Fax: (613) 822-7964



Note: Drain channel may be rotated as required

Performance Data

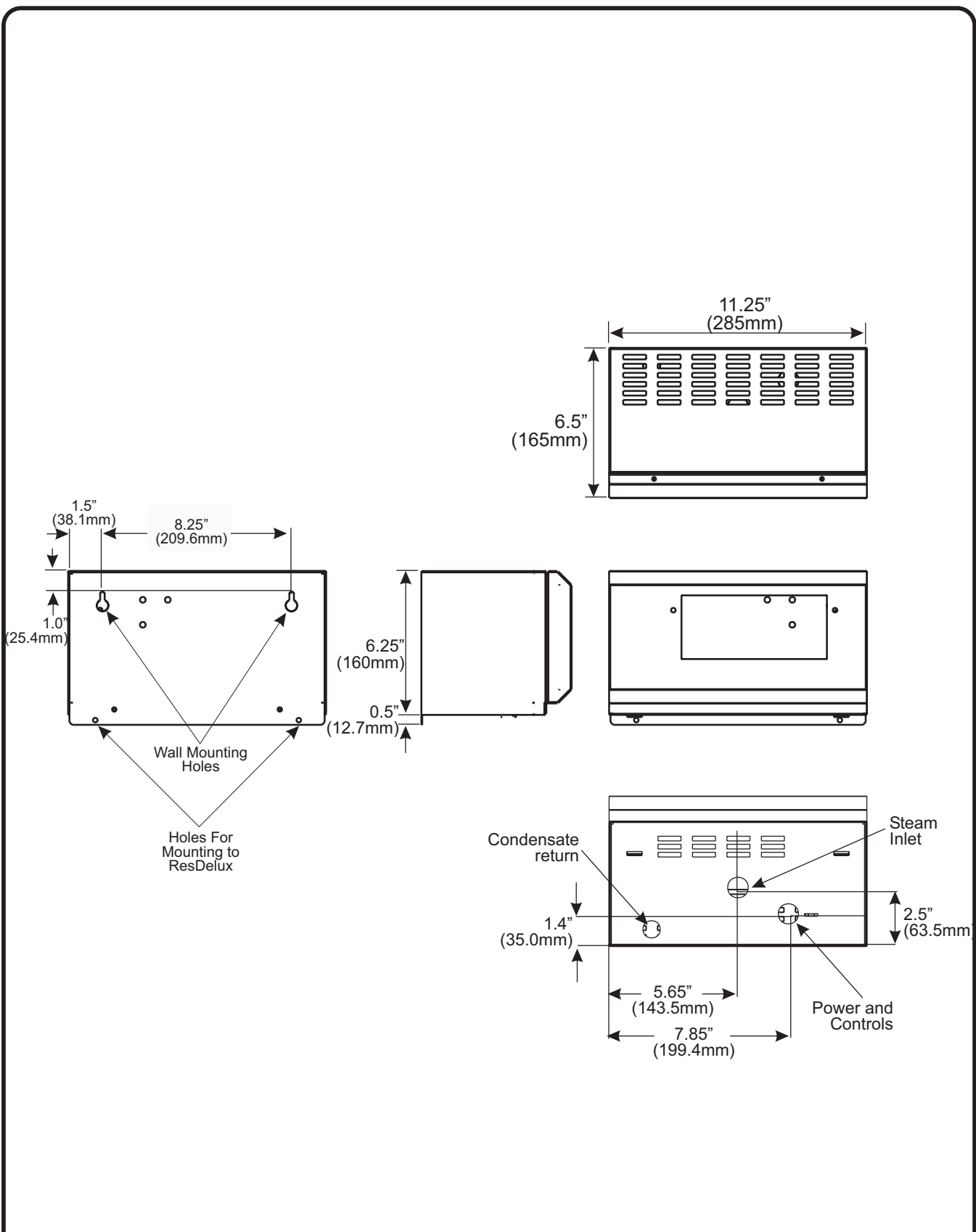
Power Circuit	110-120/1/60 V/(phase)/Hz	208-240/1/60 V/(phase)/Hz
Output Range Minimum	1.0 lbs/hr (0.45 kg/hr)	2 lbs/hr (0.9 kg/hr)
Output Range Maximum	4.0 lbs/hr (1.8 kg/hr)	8 lbs/hr (3.6 kg/hr)
Rated Input	1380 W	2760 W
Rated Current	11.5 Amps	11.5 Amps
Max. Circuit Protection	15 Amps	15 Amps

Dimensional Data

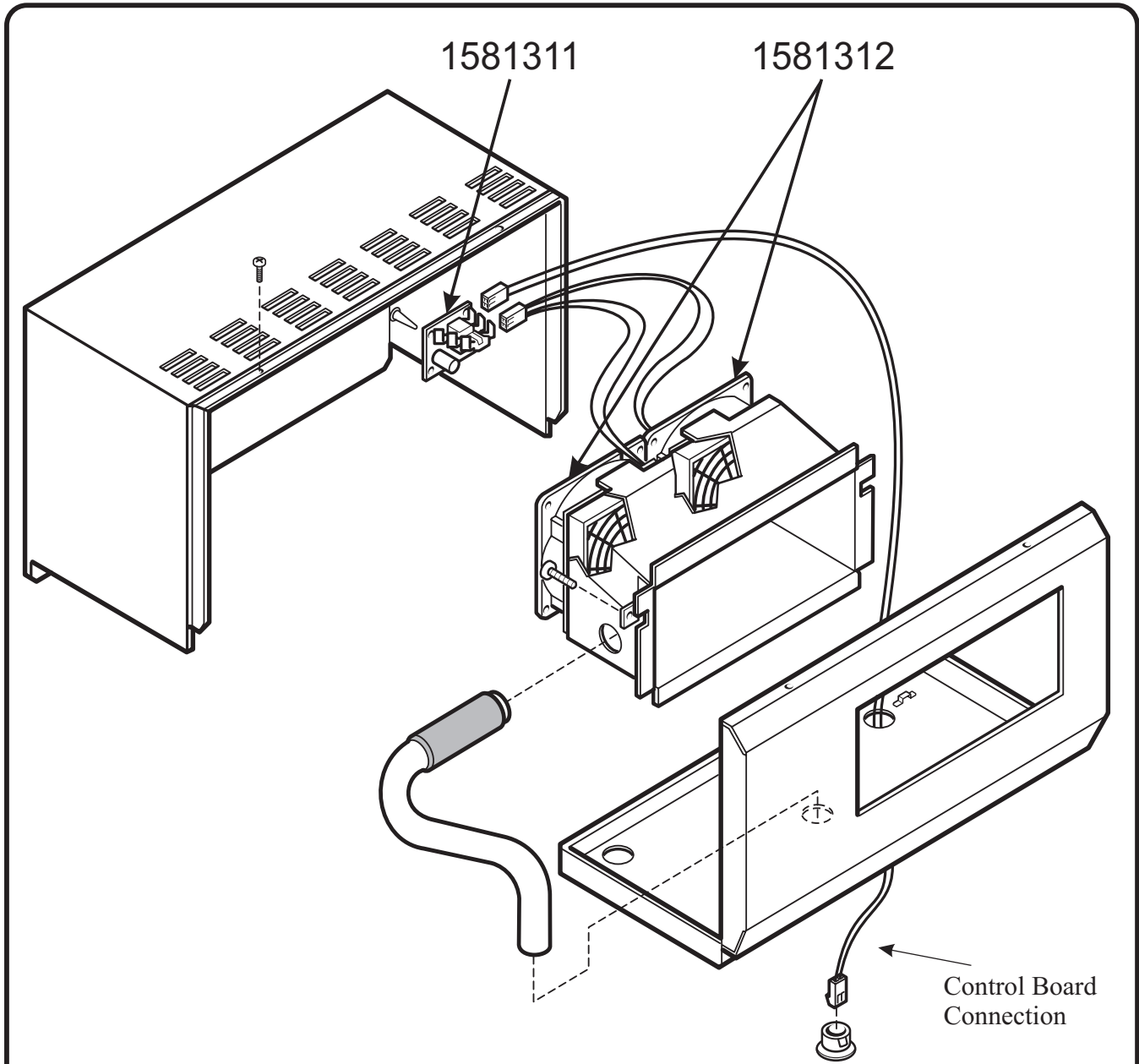
Net Weight	18.9 lbs (8.57 Kg)
Full Weight	26.5 lbs (12 Kg)
Front Clearance	36 in (914 mm)
Supply Water OD	0.25 in
Drain Water OD	0.875 in
Steam Outlet OD	0.875 in



ResDelux with Blower Pack
Physical Data
1/13/03



Blower Pack - ResDelux
Physical Data
2/20/03



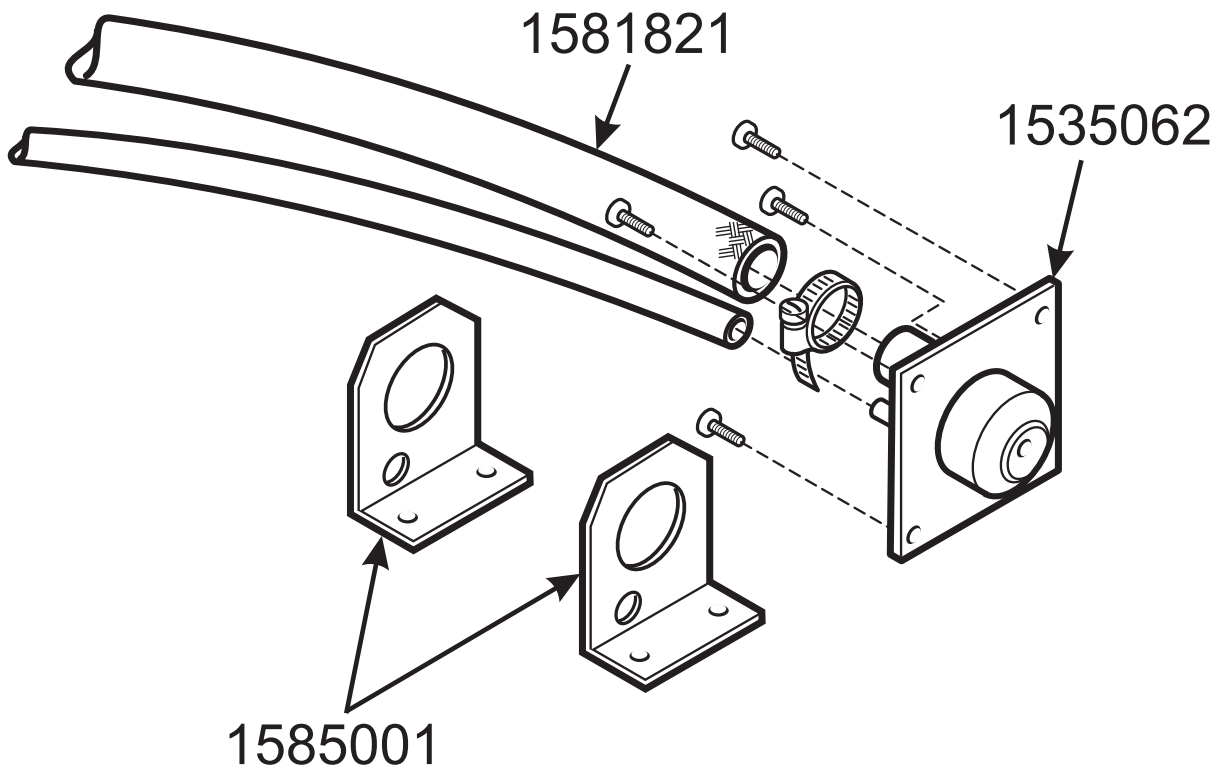
PN 158-1830: Steam Blower Pack. Optional accessory for RESDELUX humidifier. Refer to RESDELUX manual (Form #58) for additional information and mounting instructions. Use enclosed 3½" long steam hose only for cabinet mounted version to connect Blower Pack steam tube with cylinder.

PN 158-1311: Power Supply

PN 158-1312: Blower Fan Assembly



**Steam Blower Pack
PN 158-1830**



PN 158-1820: Steam Distributor Kit. Optional accessory for RESDELUX humidifier. Refer to RESDELUX manual (Form #58) for additional information and mounting instructions.

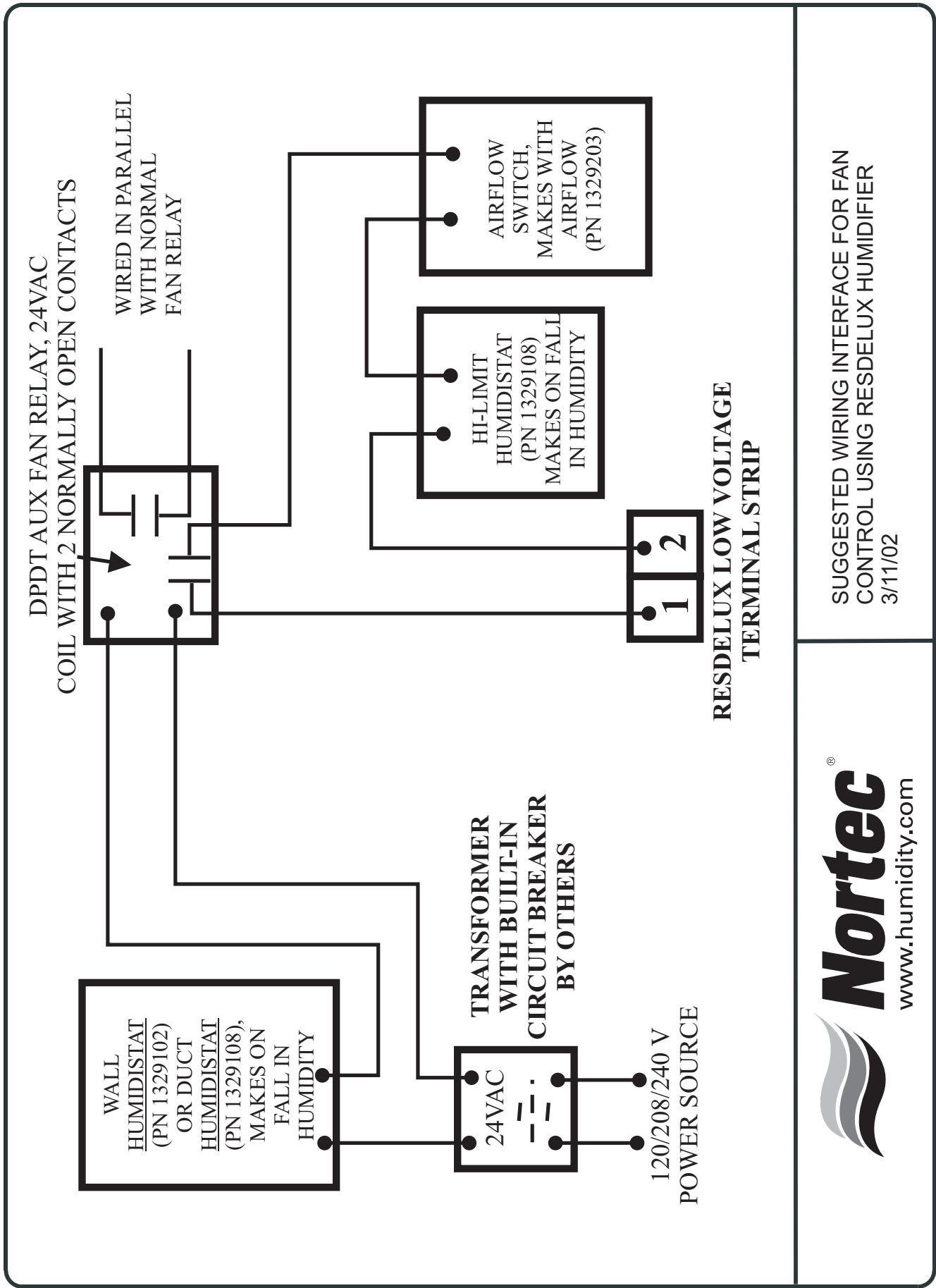
PN 158-1821: Steam Hose 4' long.

PN 153-5062: Steam Nozzle

PN 158-5001: Steam Hose Bracket



RESDELUX Steam Distributor Kit
PN 158-1820



SUGGESTED WIRING INTERFACE FOR FAN CONTROL USING RESEDELUX HUMIDIFIER
3/11/02